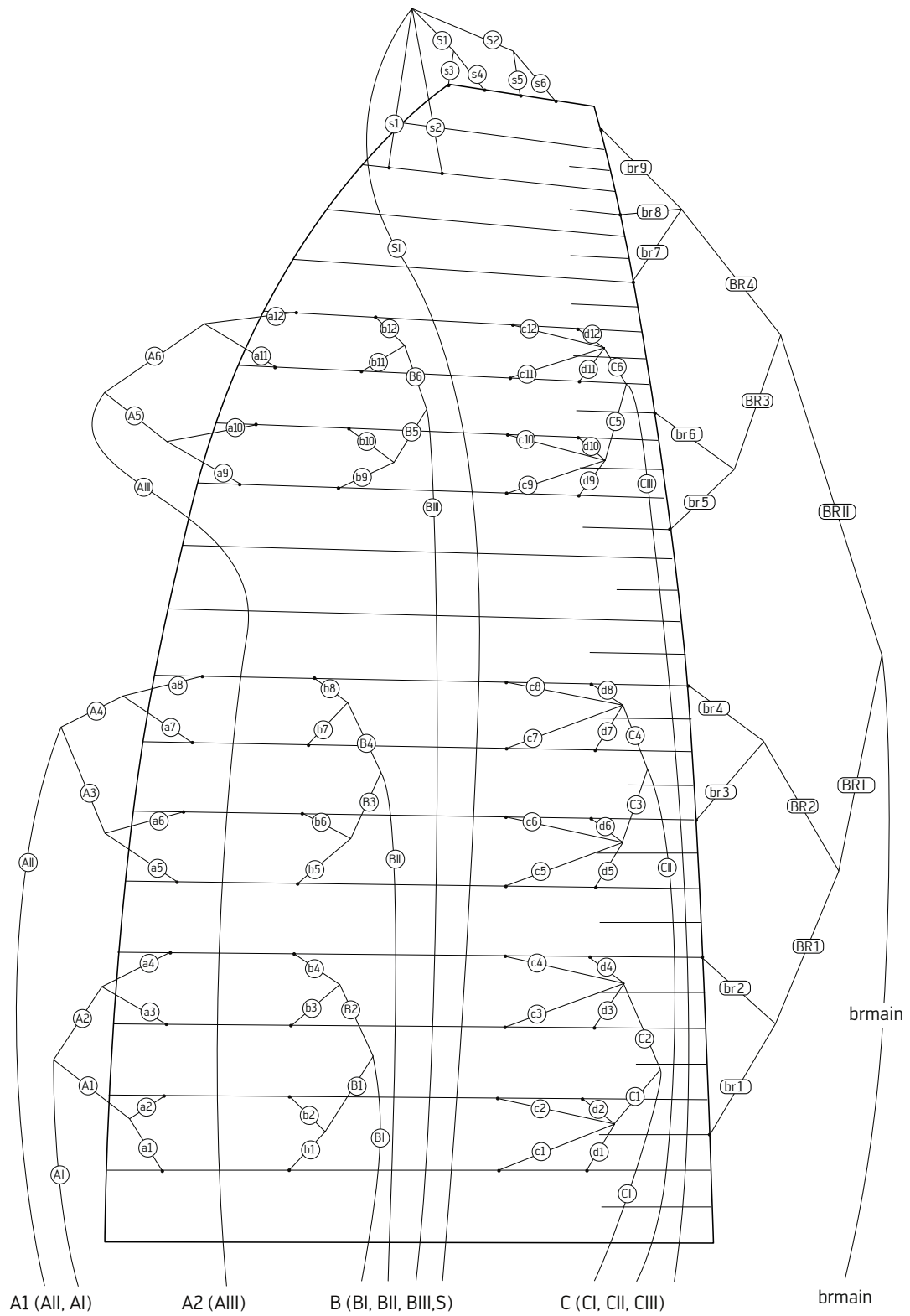


18 OVERVIEW GLIDER



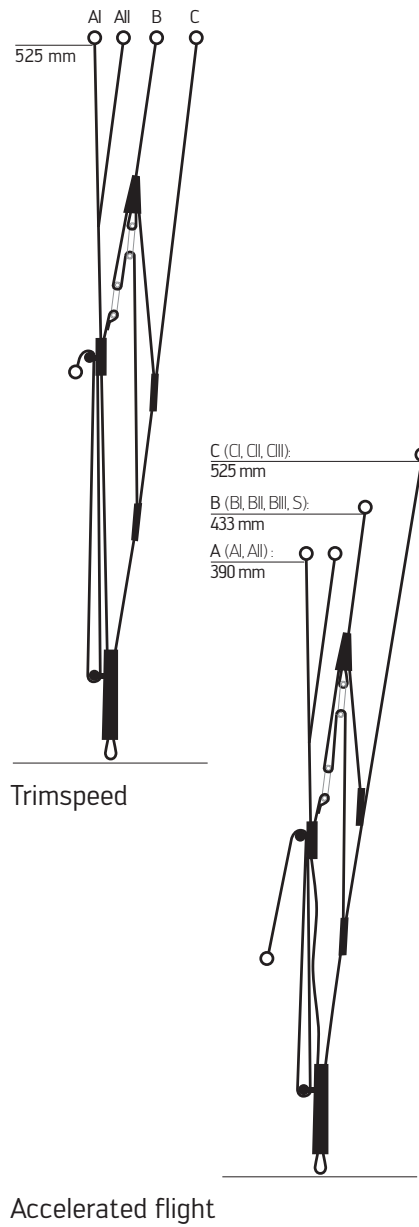
- 1 Stem lines
- 2 Top lines
- 3 Bottom sail
- 4 Cell openings
- 5 Top sail
- 6 Trailing edge
- 7 Nameplate

LINE SCHEMATIC



RISERS

MASALA3, size XXS and XS



MASALA3, size S, M, and L

